

ICPlus

An updated range of electronic controllers for temperature control and automation



- › A handful of models to suit a wide range of applications
- › Simple and intuitive menu
- › Display with icons for instant and intuitive reading
- › UniCard USB for quick system customization
- › Standard 32x74 format
- › Family feeling with controllers in the IDPlus family

DESCRIPTION

The new controllers in the **ICPlus** range are distinguished by their high quality and reliability, the result of more than 25 years of experience and collaboration with the leading manufacturers of equipment which employs temperature, humidity and pressure regulators.

The **ICPlus** controllers are electronic devices with one (**ICPlus 902**) or two (**ICPlus 915**) intervention points, which can be set as dependent, independent or with a neutral zone.

They can be used to control the temperature, relative humidity and pressure.

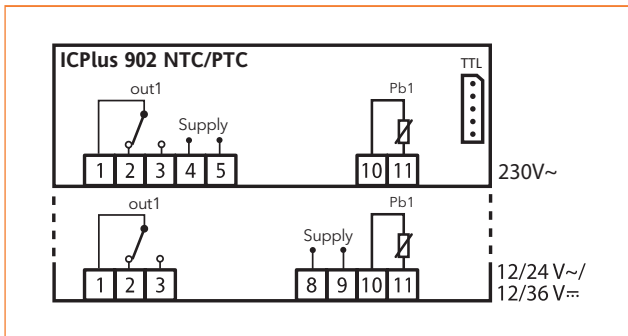
They are compatible with Televis**System** and with Modbus protocol monitoring systems.

As they are available with different types of power supply and analogue inputs, the new **ICPlus** controllers provide a wide range of solutions to satisfy every specific application requirement.

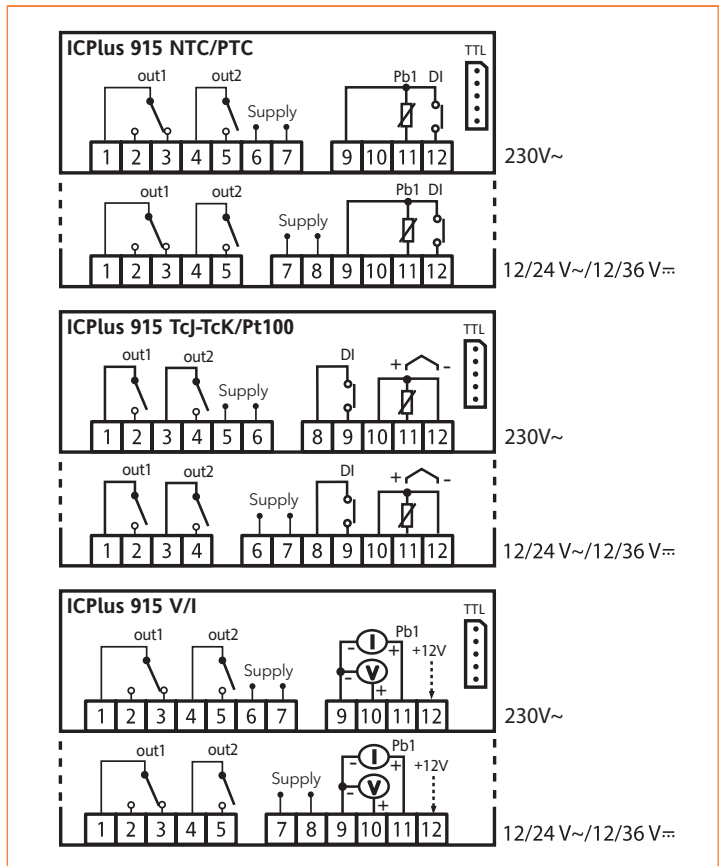
TECHNICAL DATA

Dimensions:	front panel 78,6x37mm, depth 59mm
Mounting:	panel mounting (with 71x29 mm drilling template)
Power supplies:	12 V~/, 24 V~, 12...24 V~/, 115 Va, 230 V~ ($\pm 10\%$)
Consumption:	<ul style="list-style-type: none"> • 1.5 VA (12 V~/) • 3 W (24 V~, 12...24 V~/, 115 V~, 230 V~)
Analogue Inputs:	<ul style="list-style-type: none"> • 1 PTC/NTC or • 1 PT100/TcJ-Tck or • 1 V/I (0-1 V, 0-5 V, 0-10 V, 0-20 mA, 4-20 mA)
Digital Inputs:	1 digital voltage free input (ICPlus 915 NTC/PTC and PT100/TcJ-Tck only)
Digital Outputs:	<p>ICPlus 902: NTC/PTC: 1 SPDT 8(4)A 250 V~ relay</p> <p>ICPlus 915: NTC/PTC e V/I: 1 SPDT 8(4)A 250 V~ relay + 1 SPST 8(4)A 250 V~ relay</p> <p>PT100/TcJ-Tck: 2 SPST 8(4)A 250 V~ relay</p>
Display / Icons:	3 digits and 1/2 + sign / 6 amber icons
Connections:	TTL port for connection to Copy Card, UniCard USB or Televis System /Modbus monitoring device

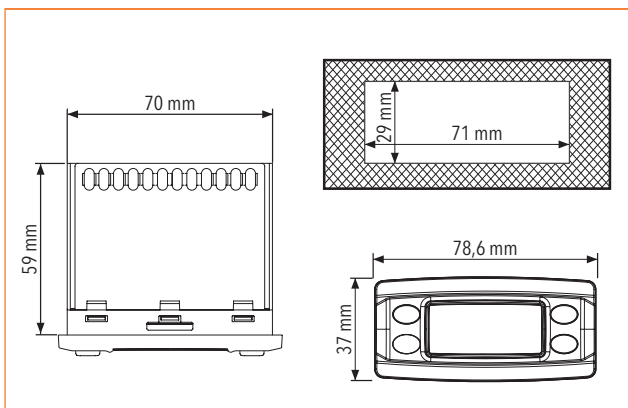
ICPlus 902 CONNECTIONS



ICPlus 915 CONNECTIONS



DIMENSIONS



Follow us on  

ELIWELL CONTROLS srl
Via dell' Industria, 15
Z.I. Paludi
32010 Pieve d' Alpago (BL)
- ITALIA -
T: +39 0437 986 111

Sales:
T: +39 0437 986 100 (Italy)
T: +39 0437 986 200 (other countries)
E: saleseliwell@schneider-electric.com

Technical Support:
T: +39 0437 986 300
E: Techsuppeliwell@schneider-electric.com

www.eliwell.com

