

# SOLENOID VALVES FOR REFRIGERANT

High Volume OEM Item

Type NEV, TEV & VPV



## GENERAL DESCRIPTION

- Direct-operated, pilot operated, 2-way, normally closed valve. Normally open type is available.
- For use with non-corrosive refrigerant.
- Compactly designed for use in small appliances produced in quantity such as room air conditioners, dehumidifiers and ice making machines.
- Various piping configuration available.



Type VPV



Type TEV

## TYPE NUMBER SELECTION (SPECIFICATIONS)

Unit: MPa {kgf/cm<sup>2</sup>}

Catalog No.	Port Size (mm)	Cv Value	Connection		O.P.D.		Max. Working Pressure	Operation	Wt. (kg)		
			Copper Tube O.D.	Style	Min.	Max.					
NEV-L202DXF	1.8	0.06	1/4"	Solder	0	2.06 {21}	3.3 {33.7}	Normal Open	0.06		
NEV-152DXF	1.5	0.07									
NEV-202DXF	1.9	0.09									
NEV-603DXF	5.8	0.65			5/16"	0.01 {0.1}		2.7 {27.6}	3.3 {33.7}	Normal Close	0.04
NEV-803DXF	7.8	1.5			3/8"						
NEV-1204DXF	11.0	3.0			1/2"						
TEV-1220D	1.2	0.037	1/4"	Solder	0	1.7 {17.3}	3.3 {33.7}	Normal Open	0.06		
TEV-1620DQ2	1.6	0.07									
TEV-1920D	1.9	0.1									
VPV-L202D	1.8	0.06	1/4"	Solder	0	2.06 {21}	4.15 {42.3}	Normal Open	0.06		
VPV-122D	1.2	0.04									
VPV-152D	1.5	0.07									
VPV-202DQ50	1.9	0.09			5/16"	0.005 {0.05}		3.6 {36.7}	4.15 {42.3}	Normal Close	0.04
VPV-603D	5.8	0.65			3/8"						
VPV-803DQ50	7.8	1.5			1/2"						
VPV-1204DQ50	11.0	3.0	1/2"	0.015 {0.15}	2.75 {28}	4.15 {42.3}	Normal Close	0.08			

- O.P.D.: Operating Pressure Differential (by air pressure)
- Ambient temperature: -20 to 50°C
- Allowable fluid temperature: -30 to 120°C (type NEV, VPV), -30 to 110°C (type TEV)

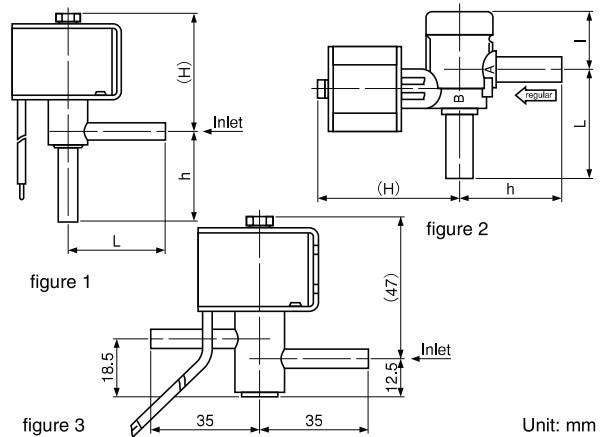
## ELECTRICAL RATING OF SOLENOID COILS

Type	Rated Voltage	Tolerance (%)	Voltampere		Power Consumption (W)	Insulation Class	Wt. (kg)	
			Running	Inrush				
NEV	24V. AC	50/60Hz	±10	11/9	33/27	7/6	* Class B Molded	0.14
	100V. AC							
	110V. AC							
	120V. AC							
	200V. AC							
	220V. AC							
230V. AC								
240V. AC								
TEV	100V. AC	50/60Hz	±10	9/7	22/16	5/4	* Class B Molded	0.1
	200V. AC							
	220V. AC							
	240V. AC							
VPV	24V. AC	50/60Hz	±10	13/10	36/30	8/7	* Class B Molded	0.14
	100V. AC							
	120V. AC							
	200V. AC							
	220V. AC							
	230V. AC							
240V. AC								

Current (A)=Voltampere / Rated Voltage

\* IEC compliance

## DIMENSIONS



Unit: mm

Catalog No.	Unit: mm				Form	
	L	H	h	l		
VPV-122D	35	43	33	-	figure 1	
						152D
						202D
NEV-VPV-603D	36.5	55	36	-	figure 2	
						803D
						1204D
						L202D
TEV-1220D	35	40	33	-	figure 1	
						1620DQ2
						1920D