

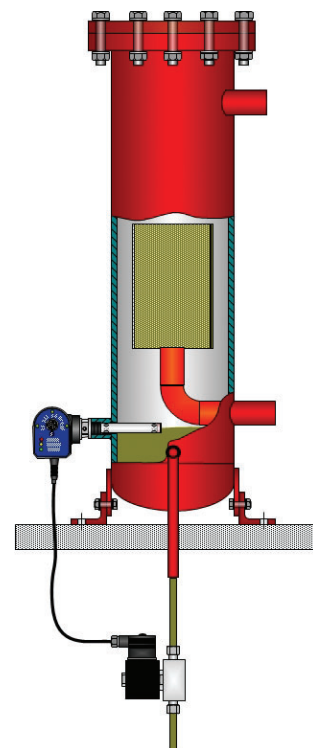
Oil Pot Controller

Category: HBOR-U/C



Functional description:

HBOR-U/C is a level sensor with a built-in controller for controlling the oil return from the oil collection points in industrial cooling systems. The sensor is installed in the oil pot at the level where automatic emptying should take place. When the sensor no longer detects NH3, it automatically opens the solenoid valves so that hot gas is fed over an ejector. The ejector forms a vacuum so that the oil pot is automatically emptied. The oil emptying function is set with a PC tool.



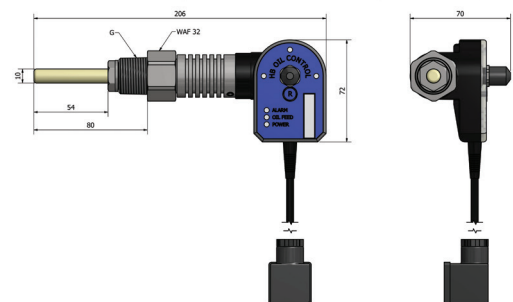
Technical data - sensor

Power supply		Mechanical specifications	
Voltage	24 V DC + 10%	Thread connection	See ordering code
Current draw	Max 30 mA	Material – mechanical parts	3/4" NPT/BSPP
Plug connection	DIN 43650 - 4 pins	Material – electronic parts	Nylon 6 (PA)
Output		Environmental conditions	
On/Off	Time	Ambient temperature	-30...+50°C
Potential-free relay output	Max 1 A (24W)	Oil temperature	-60...+80°C
LED indication	green, yellow, and red	Max pressure	100 bar
Max. load	24 W	Protection degree	IP65
Cable specification (power supply)		Vibrations	
Cable size	5 m - 3 x 0.25 mm ²	Accessories	(to be ordered separate)
Cable glands	PG7 / M8	Oil Ejector (0,05 l / min)	HBEJ-0.05-G3/8-MK2
Approvals			
CE	EN 61000-2		
Configuration			
Type of configuration	PC tool		
Tool to be used	HB Tool		

Technical data - valve regulation

Valve control (Modulating valve)	
Signal to valve	ON/OFF
Valve regulation	Time-regulation
Cable specification (valve control)	
Length	3 m (118")
Cable size	3 x 0.75 mm ²
Cable glands	PG7 / M8

Mechanical dimensions



Ordering codes

Output	Specification	Ordering code
NC / NO*	3/4" NPT	HBOR-U/C-2
NC / NO*	3/4" BSPP	HBOR-U/C-6

*Output can be configured with the HB Tool.

Spare parts for HBOR-U/C

Position	Specification	Type	Ordering code
1	Mechanical parts	3/4" NPT	HBSR-U-MEK-2
		3/4" BSPP	HBSR-U-MEK-6
2	Electronic part	PC-programmable	HBOR-U/C-EL

Spare parts for HBOR/C

Position	Specification	Type	Ordering code
2	Electronic part	PC-programmable	HBOR/C-EL

Electrical installation

