

▼ TYPE EBS

For Refrigerants 22, 134a, 404A, 507
Extended ODF Solder Connections

Sporlan Type EBS valve is a brass bar body valve having the same physical size as the Type S valve except the Type EBS features a balanced port construction and extended ODF connections. The thermostatic element is replaceable, and the inlet connection has a permanent 12 mesh strainer. The balanced port construction makes this valve ideally suited for refrigeration and air conditioning applications which operate over widely varying conditions.

Outlet Connections
7/8" ODF, 1-1/8" ODF, 1-3/8" ODF

Mating Distributors (See Bulletin 20-10)
1112, 1113, 1115, 1116, 1117, 1126, 1128, 1653(R),
1655(R), 1657(R)

For complete details of construction, see page 35.



SPECIFICATIONS ELEMENT SIZE NO. 83, KNIFE EDGE JOINT

REFRIGERANT (Sporlan Code)	VALVE TYPE External Equalizer	NOMINAL CAPACITY Tons of Refrigeration	THERMOSTATIC CHARGES AVAILABLE	STANDARD TUBING LENGTH	CONNECTIONS - Inches ③			NET WEIGHT	SHIPPING WEIGHT
					① Extended ODF Solder Blue figures are standard and will be furnished unless otherwise specified.				
					INLET	OUTLET	EXTERNAL EQUALIZER		
22 (V) 407C (N) 407A (V) 422D (V)	EBSVE-8 ②	8	*Refer to Recommended Thermostatic Charges on page 3	5 ft. 1.5 m	1/2 or 5/8	7/8 or 1-1/8	1/4 Pointed Toward Bottom Cap or Parallel to Outlet Connection	2 lbs. 0.90 kg	3 lbs. 1.36 kg
	EBSVE-11 ②	11			1/2, 5/8 or 7/8	7/8 , 1-1/8 or 1-3/8			
	EBSVE-15	15			5/8 or 7/8	7/8, 1-1/8 or 1-3/8			
	EBSVE-20	20			7/8	1-1/8 or 1-3/8			
134a (J) 12 (F) 401A (X) 409A (F)	EBSJE-5 ②	5			1/2 or 5/8	7/8 or 1-1/8			
	EBSJE-7 ②	7			1/2, 5/8 or 7/8	7/8 , 1-1/8 or 1-3/8			
	EBSJE-9	9			5/8 or 7/8	7/8, 1-1/8 or 1-3/8			
	EBSJE-12	12			7/8	1-1/8 or 1-3/8			
404A (S) 502 (R) 408A (R)	EBSSE-6 ②	6			1/2 or 5/8	7/8 or 1-1/8			
	EBSSE-7-1/2 ②	7-1/2			1/2, 5/8 or 7/8	7/8 , 1-1/8 or 1-3/8			
	EBSSE-10	10			5/8 or 7/8	7/8, 1-1/8 or 1-3/8			
	EBSSE-13	13			7/8	1-1/8 or 1-3/8			
507 (P) 402A (L)	EBSPE-6 ②	6			1/2 or 5/8	7/8 or 1-1/8			
	EBSPE-7-1/2 ②	7-1/2			1/2, 5/8 or 7/8	7/8 , 1-1/8 or 1-3/8			
	EBSPE-10	10			5/8 or 7/8	7/8, 1-1/8 or 1-3/8			
	EBSPE-13	13			7/8	1-1/8 or 1-3/8			

① ODF Solder indicates a female connection on the valve of proper diameter to receive copper tubing of corresponding OD size. Thus 5/8" ODF will receive 5/8" OD tubing.

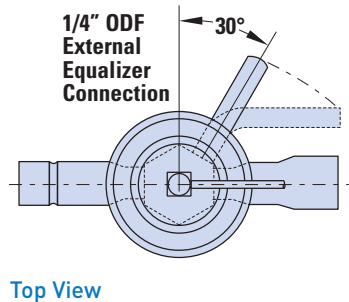
② Approved for bi-directional applications.

③ Minimum quantities may apply to non-standard connections. Not all connection combinations are available.

* X charge not available.

DIMENSIONS CONNECTIONS - Inches

FITTING SIZE	A	B	C
1/2	2.49	—	0.40
5/8	2.46	—	0.50
7/8	2.46	2.53	0.78
1-1/8	—	2.53	0.91
1-3/8	—	3.04	0.97



BULB SIZES - Inches

STANDARD CHARGES	REFRIGERANT			
	22	134a	404A	507
C	0.50 OD x 3.50			
Z & ZP Series	0.50 OD x 3.50	—	0.50 OD x 3.50	
CP Series	0.50 OD x 3.50			—
VGA	0.75 OD x 2.00	—	—	—

