

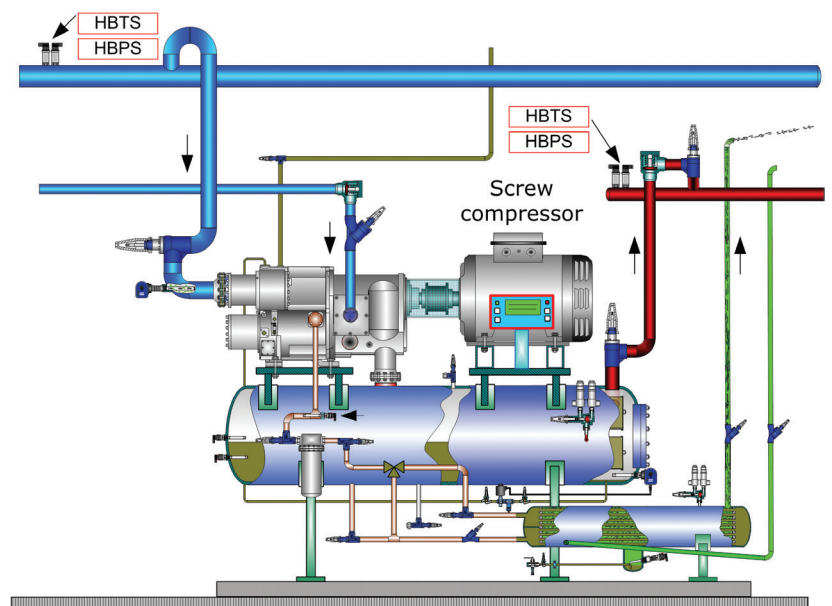
Pressure Sensor

Category: HBPS



Functional Description:

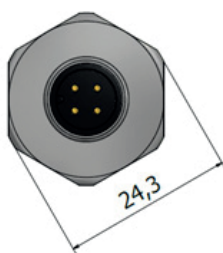
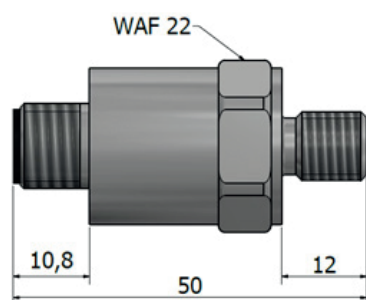
HBPS is a pressure sensor that is specially developed for the refrigeration industry. The sensor has a stainless membrane, and the housing is also made of stainless steel. It has a quick reaction time of < 1 s, and it is accessible in multiple pressure ranges.



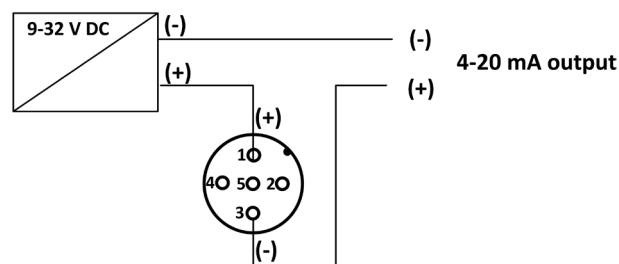
Technical data

Power supply		Mechanical specifications	
Connector	M12 - DIN 0627	Thread connection	G 1/4" - Form E
Voltage	24 V AC/DC ±10%	Material – mechanical parts	AISI 304
Analog output	4...20 mA	Material – electronic parts	AISI 304
Pin surface treatment	Gold		
Connection	2-wire		
Environmental conditions		Approvals	
Ambient temperature	-40...+105°C	EMC	EN 61000-2
Refrigerant temperature	-40...+125°C	Accessories	
Max. operational pressure	-1...200 bar	Cable-5m	HBxC/M12-5
Protection degree	IP67		
Vibrations	IEC 68-2-6 (4g)		

Mechanical dimensions



Electrical installations



Ordering codes

Pressure range	Thread type	Ordering code
-1...5 bar	1/4" G - Form E	HBPS-5-1/4-G/E
-1...5 bar	1/4" NPT	HBPS-5-1/4-NPT
0...6 bar	1/4" G - Form E	HBPS-6-1/4-G/E
0...6 bar	1/4" NPT	HBPS-6-1/4-NPT
-1...9 bar	1/4" G - Form E	HBPS-9-1/4-G/E
-1...9 bar	1/4" NPT	HBPS-9-1/4-NPT
-1...25 bar	1/4" G - Form E	HBPS-25-1/4-G/E
-1...25 bar	1/4" NPT	HBPS-25-1/4-NPT
-1...40 bar	1/4" G - Form E	HBPS-40-1/4-G/E
-1...40 bar	1/4" NPT	HBPS-40-1/4-NPT
-1...100 bar	1/4" G - Form E	HBPS-100-1/4-G/E
-1...100 bar	1/4" NPT	HBPS-100-1/4-NPT
-1...200 bar	1/4" G - Form E	HBPS-200-1/4-G/E
-1...200 bar	1/4" NPT	HBPS-200-1/4-NPT